

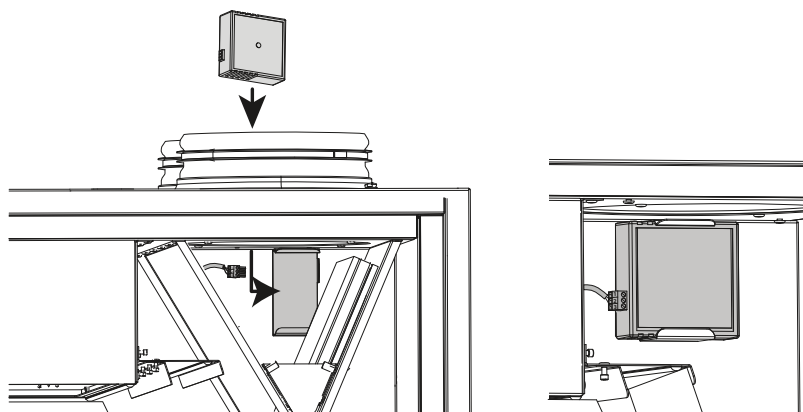
## INSTALLATION AND SET-UP



**READ THE USER'S MANUAL BEFORE INSTALLING THE UNIT.**

### FS2 HUMIDITY SENSOR INSTALLATION AND CONNECTION FOR THE KOMFORT EC S(1)(B)350/550(-E) UNITS

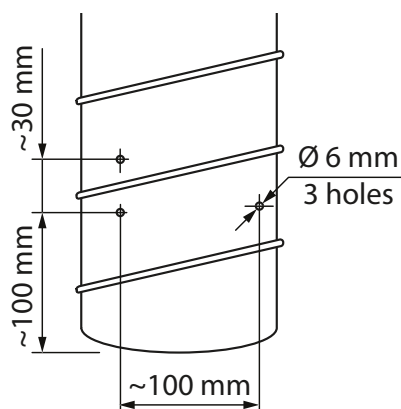
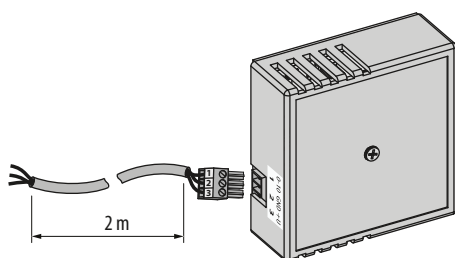
The sensor is installed before the unit mounting. Install the humidity sensor through the outlet spigot into the mount located on the wall of the exhaust air duct. Connect the humidity sensor connector to the respective connector with the cable from the control unit. Connector with the cable from the control unit is installed by the manufacturer.



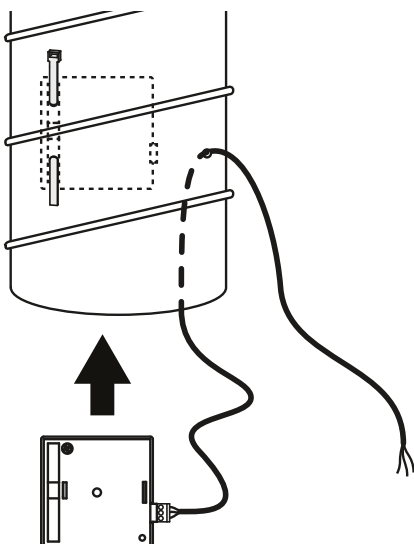
### FS2 HUMIDITY SENSOR INSTALLATION AND CONNECTION FOR THE KOMFORT EC S(1)(B)160(-E) UNITS

The sensor is installed in the exhaust air duct prior to mounting the unit and the air ducts.

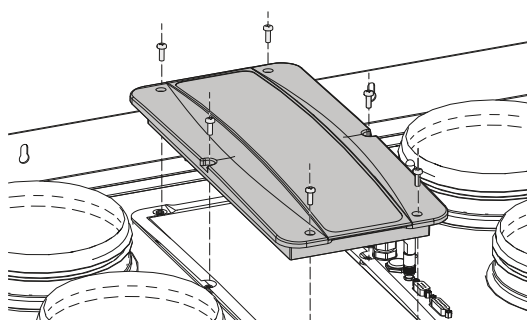
To connect the sensor to the unit, use a cable with a connector that is included in the delivery set of the unit.



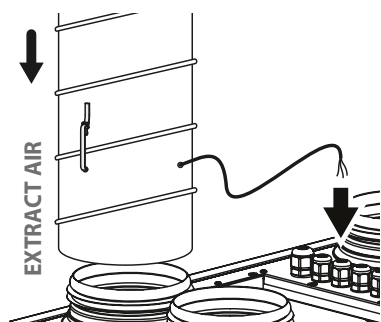
Prepare holes for mounting the sensor and for cable outlet.



Secure the sensor with a clip on the inner side of the duct and pull the cable through the hole in the duct.  
Seal connections using sealant or other materials.



To access the control unit, remove the fixing screws and remove the cover.



Pull the cable into the unit through the cable gland and connect it to the terminal block according to the wiring diagram of external devices.